

INSTRUCTIONS

ARM RIDGES

These compensating filters for arteriography of the upper extremity make for much more homogeneity all along the extremity **down to the hand**, eliminating peripheral halation. Thus, saturated signals are eliminated, improving digital subtraction.

A radio-transparent wood board supports the extremity in abduction.

Finally, immobilization takes place in the gutter formed by the ridges, by tightening two Velcro® straps.

PRECAUTIONS

To familiarize yourself with these filters, we suggest you fluoroscope them before you start using them. 1- verify their homogeneity. 2- observe their image and predict their effect on the anatomy. 3- rotate the filter containing a 30-cm opaque ruler to see the level of the ruler, which is intended to lie near the level of adjacent main arteries.

The thin edge of the board is fragile: protect it from knocks; if damaged, repair immediately with sandpaper and varnish. **The thin edge of the filters is particular,** as artifacts may be produced from tearing it off, folding it over itself or superimposing it on its neighbor.

Thin transparent food wrapping is a practical, inexpensive and disposable protection for the patient and for the ridges.

Always remove any compensating filter already present in the collimator.

DESCRIPTION

The ARM RIDGES are made of white waterproof silicone rubber, absorbing twice their thickness of water or muscle. They are **thinner distally**, to match the gradually decreasing size of the arms; they are wedged at 30° and 60°; **arrows must point in the direction of arterial circulation.**

The set consists of four elements (**figure 1**):

A) two *lateral adapted filters* that contour the elbow and adjacent muscles; **B)** a *radio-transparent wood board* supporting the upper extremity in abduction. This 100-cm board slides under the shoulder and the thorax. The edges are wedged at 45°; **C)** one *half gentle slope* to even out the density of the fingers with that of the wrist and forearm; **D)** two Velcro® straps for immobilization.

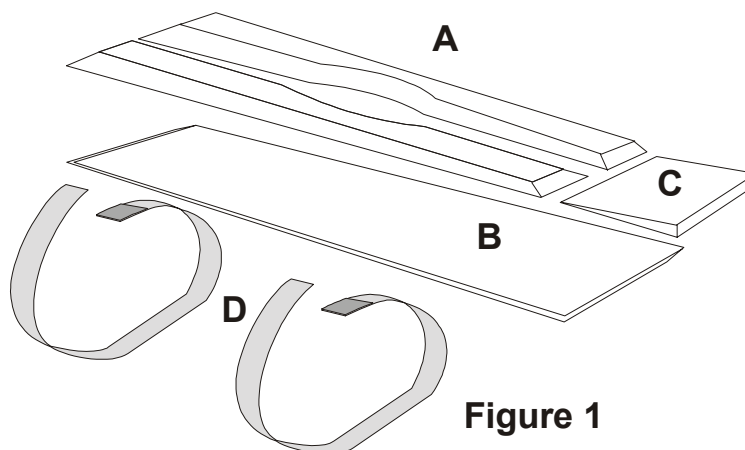


Figure 1

DISINFECTION

Disinfection is done with alcohol or Zephiran[®].

INSTALLATION

There are two options. Either the patient lies on the x-ray table, with the arm on the board in abduction and with the table rotated slightly, placing the extremity and the field. Or the patient lies on a stretcher with the arm and the board on the x-ray table.

IMMOBILIZATION

Silicone rubber sticks naturally to the skin and to the board. Firm downward compression of the arm into the gutter made by the filters ensures vertical and horizontal fixation. Supplied Velcro[®] bands secure together the arms, the filters and the board.

MISCELLANEOUS

Slight oblique views are feasible, but at some point the wedges will not function properly. Full oblique and lateral views require rotation of the extremity.

For inclusion of the hand, superimpose the half-GENTLE SLOPE filter to the fingers, which will reach the same density as the wrist.

The set is also suitable for phlebography.

It would be worth consulting the supplied educational brochure "THE OCTOSTOP[®] FILTERS" by Dr Jean A. Vézina M.D., president and medical advisor of OCTOSTOP[®] Inc. A CD-ROM is included with this product.

WARNING

Must be used only by qualified personnel, according to appropriate procedures, and under the responsibility of a physician. OCTOSTOP[®] Inc. and its personnel do not assume any liability regarding the use, indications, consequences, or any situation directly or indirectly related to its products.