

INSTRUCTIONS the LITTLE PRISM

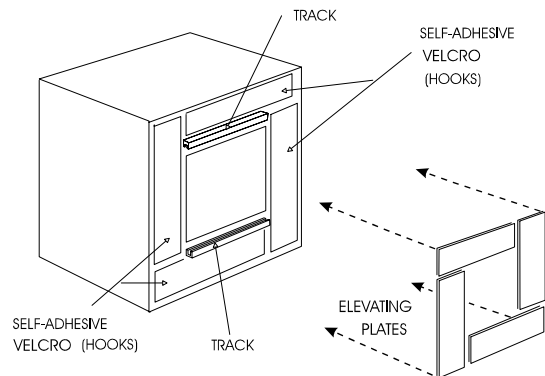
THE LITTLE PRISM may be used unfasten next to the patient. However it has Velcro[®] felt at each end for fixing onto a collimator, a cassette or an x-ray table. Corresponding Velcro[®] hooks must then be fastened where the LITTLE PRISM is to be installed.

PREPARING the COLLIMATOR with Velcro[®] hooks:

If there are no tracks. Enough self-adhesive Velcro[®] (hooks) is supplied to cover the periphery of the window of the collimator. First place the LITTLE PRISM where it will be used, in order to determine where the hooks have to be fastened to correspond to the prism's felt. Cut the Velcro[®] of the proper length with scissors, peel it off, and stick it around the window.

If there are tracks. The hooks have to be RAISED at the level of the tracks by placing supplied elevator Velcro[®] plates as shown. The tracks may also be covered with self-adhesive hooks (if they are wide enough). This permits excellent adherence over and beyond the tracks, and in all orientations.

If raising plates are too long or too wide, they can be cut with a fine-teeth saw. If a problem arises, contact us by letter, fax or telephone: we will be glad to help you.



PREPARING a CASSETTE or an X-RAY TABLE with Velcro[®] hooks: see brochure page 16.

Cut proper strips of self-adhesive Velcro[®] hooks, peel off and stick in place.

FOR MORE DETAILS, please consult the educational brochure "THE OCTOSTOP[®] FILTERS" by Dr Jean A. Vézina M.D., president and medical advisor of OCTOSTOP Inc., pages 2-4 BASIC NOTIONS, page 13 THE LITTLE PRISM and page 16 MISCELLANEOUS.

WARNING

Must be used only by qualified personnel, according to appropriate procedures, and under the responsibility of a physician. OCTOSTOP[®] Inc. and its personnel do not assume any liability regarding the use, indications, consequences, or any situation directly or indirectly related to its products.