

# INSTRUCTIONS

## OCTAGONS FOR

### UNIVERSAL OCTOPAQUE<sup>®</sup> and MINI-PAQUE

The OCTAGONS for these pediatric immobilizers are but one of their many components and features. Please consult attentively the included educational brochure and video "THE OCTOSTOP<sup>®</sup> SYSTEM for pediatric immobilization" by Jean A. Vézina M.D., president and Medical Advisor of OCTOSTOP<sup>®</sup> Inc. You will find useful information and suggestions.

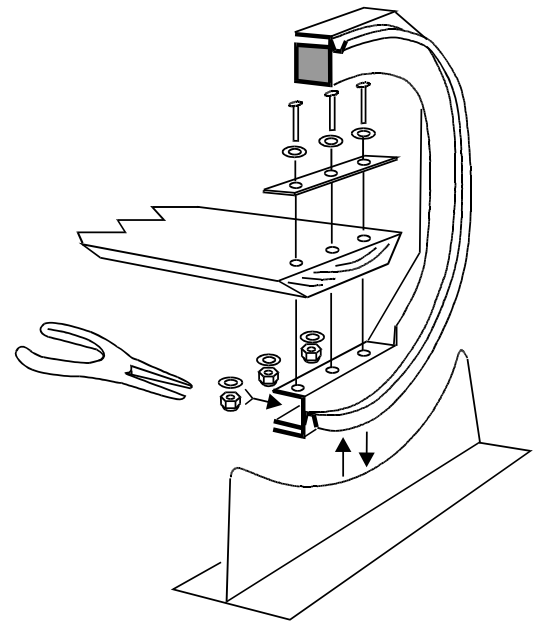
#### SELECTING A WOOD BOARD

We recommend dry poplar (or "bass"), 0.5 by 6.5 inches, without knots and with the veins as flat as possible (see figure). Veins reaching 45° may show on oblique views. Therefore fluoroscope the board before finishing it.

- 1- MOUNTING.** Aluminum screws, washers, lock nuts and blue plastic bars are included. For each screw, one washer is placed on top of the blue plastic bar as shown on diagram; another one is placed under the plastic seating of the octagon; then the lock nut is screwed tightly. **File any rough surface created on the head of the screws.**

Check that the octagons are parallel, otherwise the unit will rock. If it does, place a wedge between the board and the seat of one octagon as a correction.

- 2- CONTENTION.** We suggest that two strips of two-inch auto-adhesive hooks Velcro<sup>®</sup> be stuck under the board, onto which "L" cushions, straps and blanket are fastened. See brochure pages 3 and 4 for details.



#### WARNING

Must be used only by qualified personnel, according to appropriate procedures, and under the responsibility of a physician.

Babies must always remain under direct surveillance. Patients should not be put in any position that could compromise their safety. **Magnetic resonance** signals must be acquired beyond the lines indicated on the board (across from the octagon).

OCTOSTOP<sup>®</sup> Inc. and its personnel do not assume any liability regarding the use, indications, consequences, or any situation directly or indirectly related to its products.

## PRECAUTIONS

### GENERAL

1-The UNIVERSAL OCTOPAQUE® and MINI-PAQUE units and their techniques must be used under the responsibility of a radiologist or other physician. In case of doubt, para-medical personnel must seek advice. OCTOSTOP® INC. assumes no direct or indirect responsibility in the use of its products.

<p><b>IN MAGNETIC RESONANCE USE 2 cm BEYOND OCTAGON</b></p>
---

2-Our literature is only a guide for the better use of the OCTOSTOP® System. It must be adapted to each situation and to local usage.

### TECHNICAL

3-Never leave a baby **alone and unattended**, even when immobilized on an apparatus.

4-Avoid compressing the upper respiratory tract, by always passing straps and bandages **behind the neck, never in front**, or too close on the chin or shoulders.

5-**The upright position** is possible, but hold the board manually and carefully, or with the vertical support, and be sure that the baby does not slip down, or becomes distressed.

6-Attach all blankets and straps completely: they are radiolucent, but they may show as a slight artifact if bent or projected "on end".

7-Fine line grid cassettes are excellent: they permit a fast exposure (approximately 1/120th of a second); the lines are invisible providing the focal/grid distance and the perpendicularity are respected.

8-The sides of the board are fragile: do not hit them. Bare wood may absorb some opaque substances. Repair it immediately if needed by sanding and varnishing.

9-Prevent contaminations. Disinfect with alcohol or Zephiran®.

10-Do not (over-) tighten a traumatized skull, to prevent complications.

11-The patient should not be placed in any position that could compromise its safety.

### RADIOLOGICAL AND MEDICAL

12-The interpretation of an image and the result of a treatment or technique are the sole responsibility of the professionals in attendance.

13-A slight posterior angulation of C2 on C3 on the lateral cervical view, and a slight buckling of the trachea posteriorly and to the right are normal, since the head is immobilized with a slight flexion.

14-Normal pre-cervical soft tissues often bulge markedly.

15-Wood veins may show on oblique views; if an artifact is suspected, please obtain films with and without the board and its accessories.