

INSTRUCTIONS

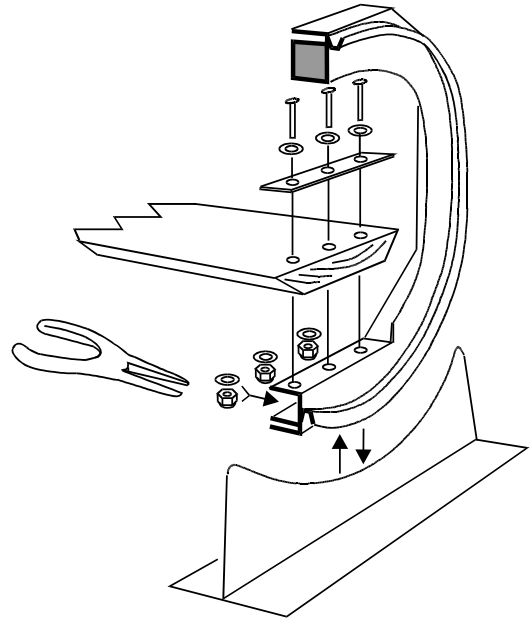
UNIVERSAL OCTOPAQUE[®] and MINI-PAQUE

This pediatric immobilizer is a high quality apparatus with many important features. Please consult attentively the included educational brochure and video "THE OCTOSTOP[®] SYSTEM for pediatric immobilization" by Jean A. Vézina M.D., President and Medical advisor of OCTOSTOP[®] Inc. You will find useful information and suggestions.

1- MOUNTING. Aluminum bolts, washers, lock nuts and blue plastic bars are included for mounting. For each bolt, one washer is placed on top of the blue plastic bar as shown on diagram; another one is placed under the plastic seating of the octagon; then the locknut is screwed tightly. **File any rough surface created on the head of the bolts.**

2- CONTENTION. There are two Velcro[®] bands under the board, to which "L" cushions, straps and blanket are fastened. See brochure pages 3 and 4 for detailed suggestions. One extra set is supplied as replacement.

3- HEAD vs TRUNK EXAMINATIONS. Almost all types of examinations can be performed on this UNIVERSAL OCTOPAQUE[®]. It is obvious that, for head examinations, the arms must be immobilized alongside the body, into a very comfortable blanket, while the head is fastened into a "U" cushion. For trunk examinations, the arms are immobilized near the head into an "L" cushion. The 12-inch Velcro[®] strap is useful to stretch up the arms and anchor them to the board. This procedure is more difficult with newborns whose arms are more rigid. We suggest insisting delicately on this procedure, since it is the key to good control of the whole body.



WARNING

Must be used only by qualified personnel, according to appropriate procedures, and under the responsibility of a physician.

Babies must always remain under direct surveillance. Patients should not be put in any position that could compromise their safety. **Magnetic Resonance** signals must be acquired beyond the lines indicated on the board (across from the octagon).

OCTOSTOP[®] Inc. and its personnel do not assume any liability regarding the use, indications, consequences, or any situation directly or indirectly related to its products.

PRECAUTIONS

GENERAL

1-The UNIVERSAL OCTOPAQUE[®] and MINI-PAQUE units and their techniques must be used under the responsibility of a radiologist or other physician. In case of doubt, para-medical personnel must seek advice. OCTOSTOP[®] INC. assumes no direct or indirect responsibility in the use of its products.

2-Our literature is only a guide for the better use of the OCTOSTOP[®] System. It must be adapted to each situation and to local usage.

**IN MAGNETIC RESONANCE
USE 2 cm BEYOND
OCTAGON**

TECHNICAL

3-Never leave a baby **alone and unattended**, even when immobilized on an apparatus.

4-Avoid compressing the upper respiratory tract, by always passing straps and bandages **behind the neck, never in front**, or too close on the chin or shoulders.

5-**The upright position** is possible, but hold the board manually and carefully, or with the vertical support, and be sure that the baby does not slip down, or becomes distressed.

6-Attach all blankets and straps completely: they are radiolucent, but they may show as a slight artifact if bent or projected "on end".

7-Fine line grid cassettes are excellent: they permit a fast exposure (approximately 1/120th of a second); the lines are invisible providing the focal/grid distance and the perpendicularity are respected.

8-The sides of the board are fragile: do not hit them. Bare wood may absorb some opaque substances. Repair it immediately if needed by sanding and varnishing.

9-Prevent contaminations. Disinfect with alcohol or Zephiran[®].

10-Do not (over-) tighten a traumatized skull, to prevent complications.

11-The patient should not be placed in any position that could compromise its safety.

RADIOLOGICAL AND MEDICAL

12-The interpretation of an image and the result of a treatment or technique are the sole responsibility of the professionals in attendance.

13-A slight posterior angulation of C2 on C3 on the lateral cervical view, and a slight buckling of the trachea posteriorly and to the right are normal, since the head is immobilized with a slight flexion.

14-Normal pre-cervical soft tissues often bulge markedly.

15-Wood veins may show on oblique views; if an artifact is suspected, please obtain films with and without the board and its accessories.